

LT-810-CC DMX DECODRE



LTECH developed a new DMX to PWM dimming driver which has solved the compatible problem of the fluorescent dimming system and the LED illumination. LED lamps can be controlled by many traditional intelligent dimming systems such as Lutron, Dyalnite, Tridonic, Schneider, Clipsal, Osram, Philips, ABB, etc.

LT-810-CC is optional with 3 in 1 current 350/700/1050mA, Support a wide range of the connection of 1~13pcs(1~50W) high power LED and ensure accurate current output automatically.

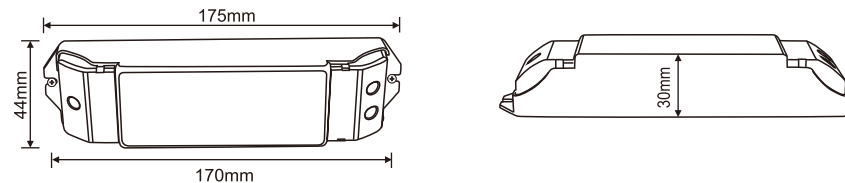
LT-810-CC is designed for dimming. Dimming effect is superior to conventional DMX decoder, 0-100% PWM depth dimming, output with the dimming curve that is more palatable to human vision, provide the user with more comfortable and natural lighting experience.

1. Product Parameter:

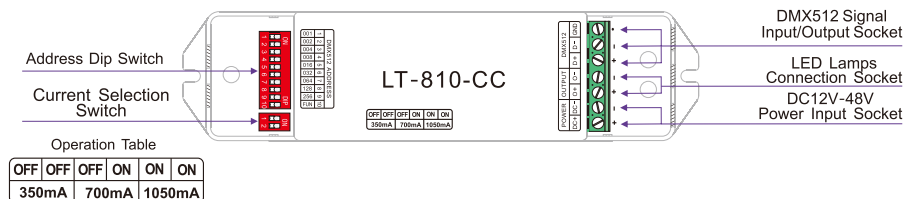
LT-810-CC DMX decoder

- Input Signal : DMX512
- Input Voltage : DC12V-DC48V
- Output Voltage : DC3V-DC46V
- Output Current : CC 350/700/1050mA x1CH
- Driving LEDs : 1~13pcs 1W/3W/5W LED(1~50W) in series
- Dimming Range : 0~100%
- Working Temperature : -30°C~55°C
- Dimensions : L175×W44×H30mm
- Package Size : L178×W48×H33mm
- Weight (G.W.): 125g

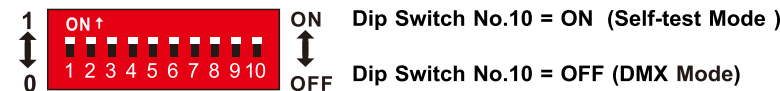
2. Product Size:



3. Main Component Description:



4. DMX Address Setting:

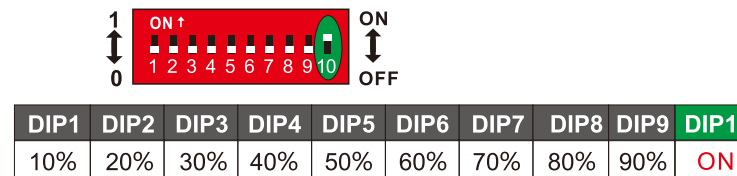


1) E.g.: Initial DMX Address Setting:



* When Dip switch 1-9 are OFF, the initial DMX address defaults to 1.

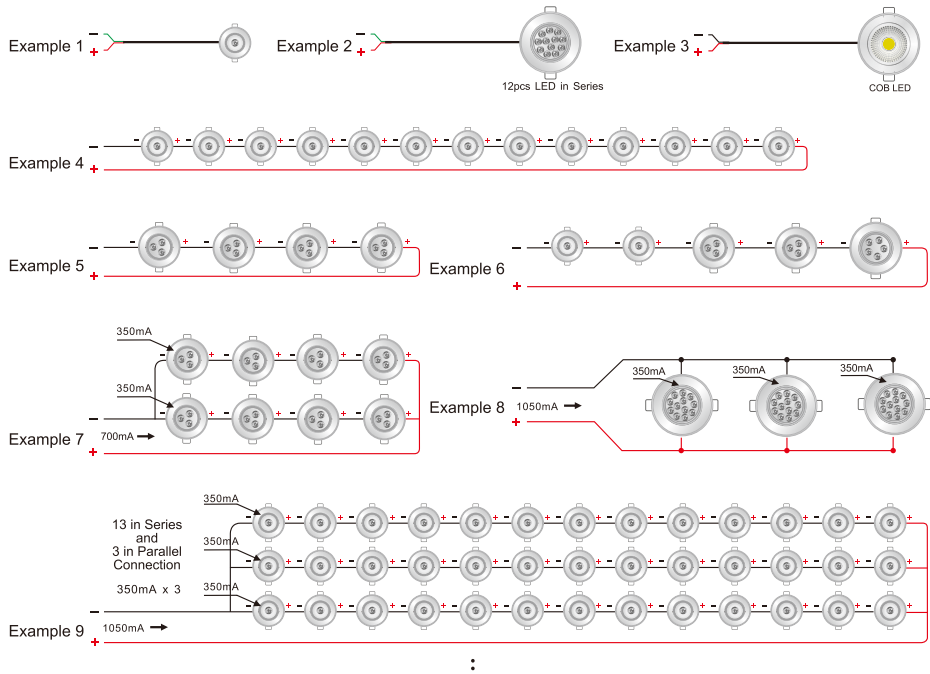
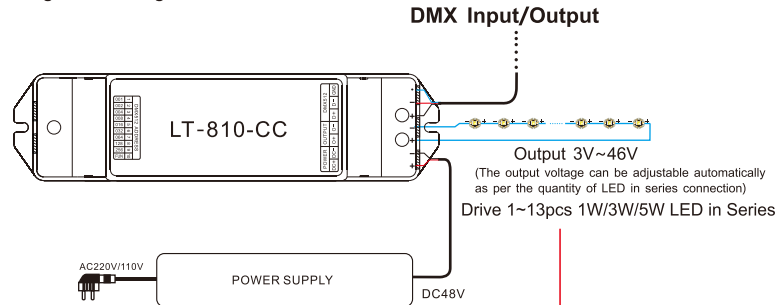
2) Brightness Self-test Mode:



* DIP switch 1-9 OFF: brightness 100%;
When two or more DIP switches ON, brightness is subjected to the highest switch value.

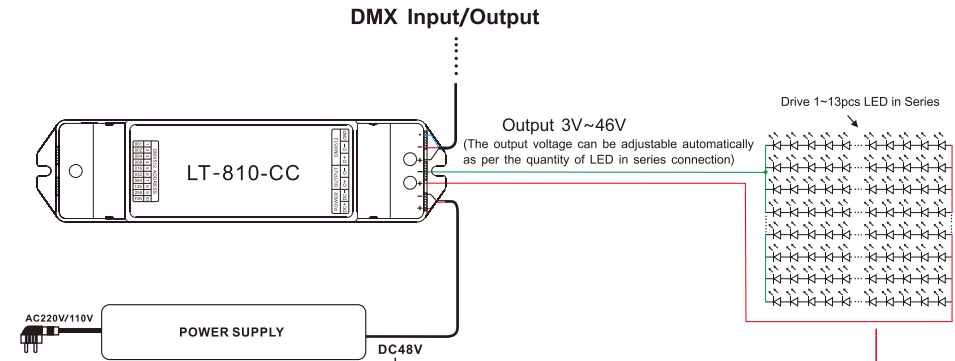
5. Conjunction Diagram:

1) Connection Diagram for High Power LED :

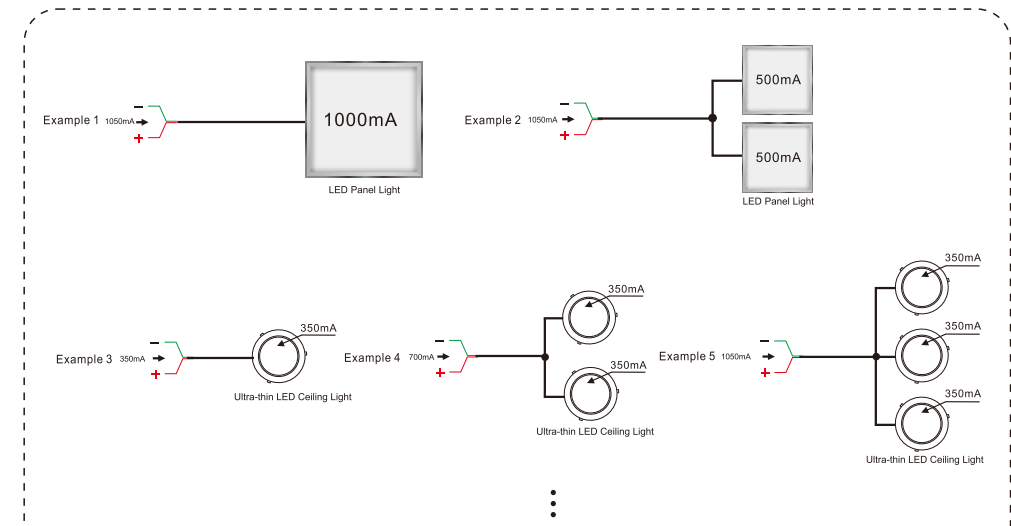


This controller is a decompression constant current driver, the voltage of power supply is more than the total voltage of the connected lamps. It is calculated based on the voltage drop of conventional high power LED of 1W/3W/5W:
 48V can power 1~13pcs LEDs in series; 36V can power 1~10pcs LEDs in series;
 24V can power 1~6pcs LEDs in series; 12V can power 1~3pcs LEDs in series.

2) Connection Diagram for Low Power LED 5050,3528 :

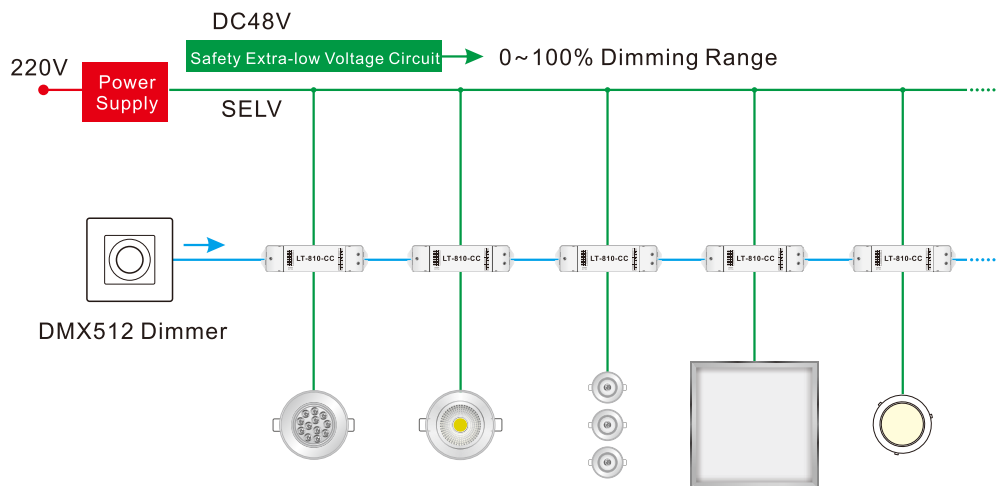


48V can power 1~13pcs LEDs in series
 36V can power 1~10pcs LEDs in series
 24V can power 1~6pcs LEDs in series
 12V can power 1~3pcs LEDs in series

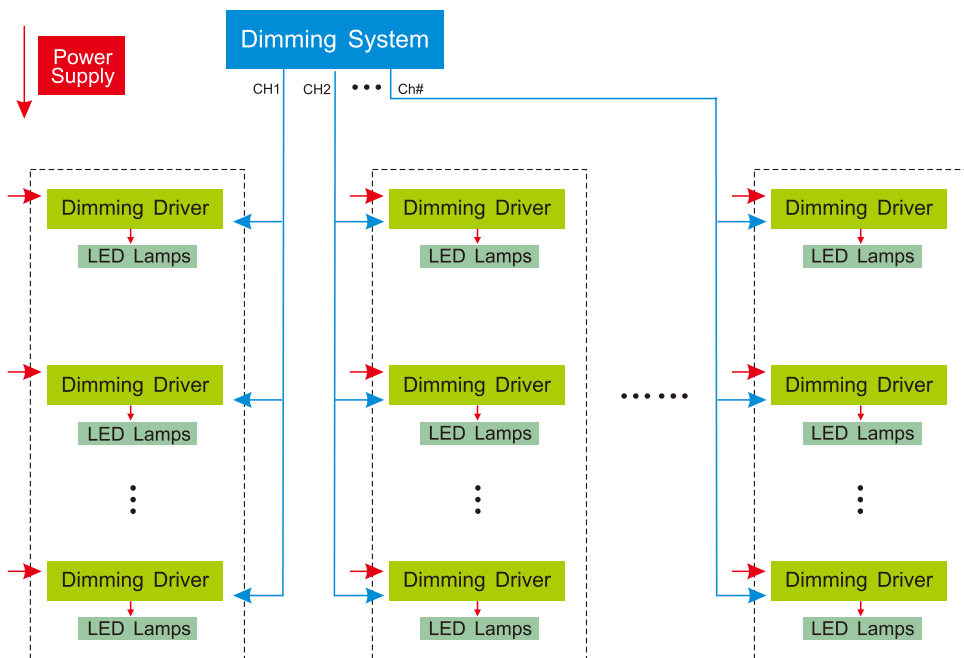


The conventional design on the LED panel/ultra-thin ceiling lights is series-parallel combined circuit, say multiple LEDs to a group in series connection, and then multiple groups in parallel connection. LT-701-CC can connect to the lamps with different specs flexibly.
 Other output current can be customized.

3) Connection Diagram for Multiple Decoders:



4) System Connection Diagram:



4. Attention:

- 1) The product shall be installed and serviced by a qualified person.
- 2) This product is non-waterproof. Please avoid the sun and rain. When installed outdoors, please ensure it is mounted in a water proof enclosure.
- 3) Good heat dissipation will prolong the working life of the controller. Please ensure good ventilation.
- 4) Please check if the output voltage of any LED power supplies used comply with the working voltage of the product.
- 5) Please ensure that adequate sized cable is used from the controller to the LED lights to carry the current. Please also ensure that the cable is secured tightly in the connector.
- 6) Ensure all wire connections and polarities are correct before applying power to avoid any damages to the LED lights.
- 7) If a fault occurs please return the product to your supplier. Do not attempt to fix this product by yourself.

5. Warranty Agreement:

- 1) We provide lifelong technical assistance with this product:
 - A 5-year warranty is given from the date of purchase. The warranty is for free repair or replacement and covers manufacturing faults only.
 - For faults beyond the 5-year warranty we reserve the right to charge for time and parts.
- 2) Warranty exclusions below:
 - Any man-made damages caused from improper operation, or connecting to excess voltage and overloading.
 - The product appears to have excessive physical damage.
 - Damage due to natural disasters and force majeure.
 - Warranty label, fragile label and unique barcode label have been damaged.
 - The product has been replaced by a brand new product.
- 3) Repair or replacement as provided under this warranty is the exclusive remedy to the customer. LTECH shall not be liable for any incidental or consequential damages for breach of any stipulation in this warranty.
- 4) Any amendment or adjustment to this warranty must be approved in writing by LTECH only.

★This manual only applies to this model. LTECH reserves the right to make changes without prior notice.