

LT-391-350 0-10V LED Dimming Driver (Constant Current)



Along with the rise of LED illumination, LED lamps are widely used in hotel, business center, household decoration etc., there are more and more chances to use LED and fluorescent lights at the same project, if LED lamps and fluorescent lights can be controlled together by a traditional fluorescent dimming system, it will make everything more convenient, but the dimming principles of LED and traditional fluorescent lights are different, LED lights can not be dimmed by the fluorescent dimming controller directly.

As a fact of that, our company developed a new 0-10V to PWM dimming driver which has solved the compatible problem of fluorescent dimming system. And LED illumination, LED lamps can be controlled by many traditional intelligent dimming system.

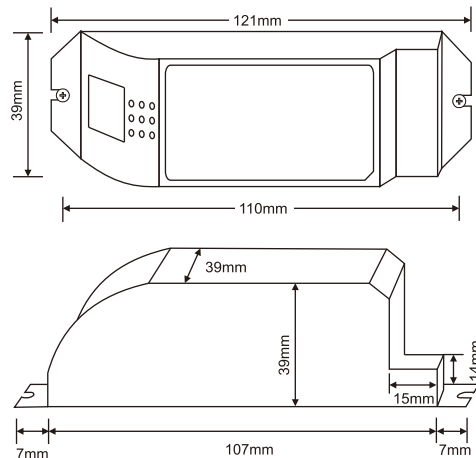
1. Product Parameter:

LT-391-350 CC 0-10V Dimming Driver	
Power Supply Chosen	DC CV SMPS
Input Voltage	DC12V~DC48V
Output Voltage	DC3V~DC42V
Output Current	Constant Current 350mA
Driving LEDs	1~12 pcs 1W LED
Input Signal	0-10V Analog Dimming Signal
Output Signal	PWM LED Dimming Signal
Working Temperature	-30°C~55°C
Dimension	L121×W39×H39(mm)
Package Size	L123×W42×H42(mm)
Weight(G.W.)	85g

2. Basic Features:

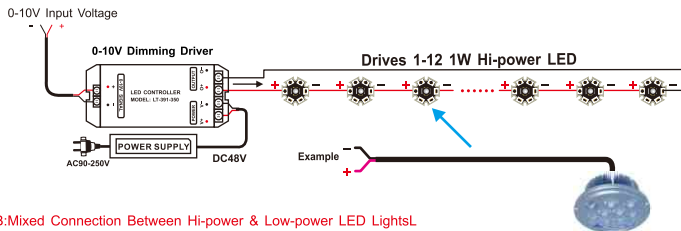
1. 0-10V to PWM dimming signal conversion.
2. Optical isolation protection for input & output;
3. Compatible with many brand dimming systems.
4. Constant current 350mA high precision output.
5. DC12V-48V input voltage, which can drive 1~12 pcs 1W LED.
6. Multi units can be worked together or use our power repeaters to control more lamps.

3. Product Dimension:

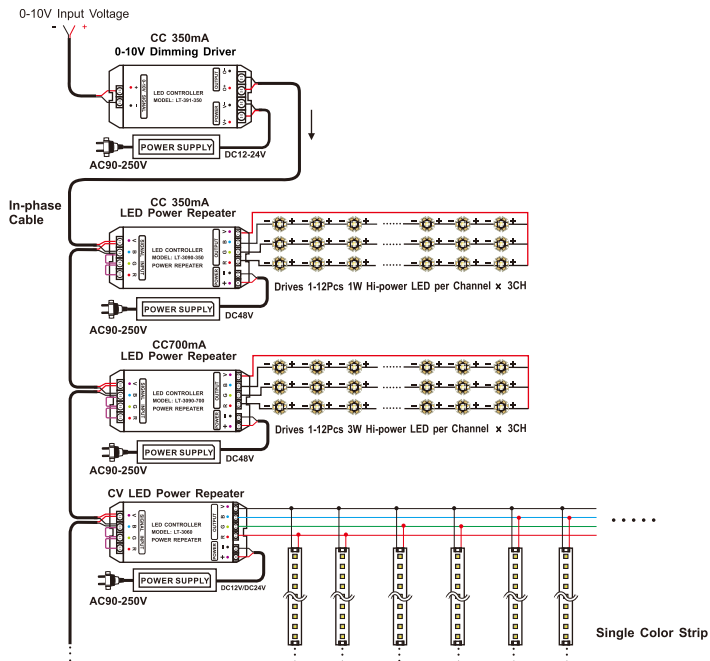


4. Conjunction Diagram:

A: Connecting Hi-power LED Lights:



B: Mixed Connection Between Hi-power & Low-power LED LightsL



Expand Power Output Unlimitedly

5. Attention:

1. The product shall be installed and serviced by a qualified person.
2. This product is non-waterproof. Please avoid the sun and rain. When installed outdoors please ensure it is mounted in a water proof enclosure.
3. Good heat dissipation will prolong the working life of the controller. Please ensure good ventilation.
4. Please check if the output voltage of any LED power supplies used comply with the working voltage of the product.
5. Please ensure that adequate sized cable is used from the controller to the LED lights to carry the current. Please also ensure that the cable is secured tightly in the connector.
6. Ensure all wire connections and polarities are correct before applying power to avoid any damages to the LED lights.
7. If a fault occurs please return the product to your supplier. Do not attempt to fix this product by yourself.

6. Warranty Agreement:

1. We provide lifelong technical assistance with this product:
 - A 5-years warranty is given from the date of purchase. The warranty is for free repair or replacement and covers manufacturing faults only.
 - For faults beyond the 5-years warranty we reserve the right to charge for time and parts.
2. Warranty exclusions below:
 - Any man-made damages caused from improper operation, or connecting to excess voltage and overloading.
 - The product appears to have excessive physical damage.
 - Damage due to natural disasters and force majeure.
 - Warranty label, fragile label and unique barcode label have been damaged.
 - The product has been replaced by a brand new product.
3. Repair or replacement as provided under this warranty is the exclusive remedy to the customer. LTECH shall not be liable for any incidental or consequential damages for breach of any stipulation in this warranty.
4. Any amendment or adjustment to this warranty must be approved in writing by LTECH only.

★This manual only applies to this model. LTECH reserves the right to make changes without prior notice.