

LT-3010-CC CC Power Repeater



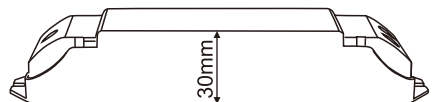
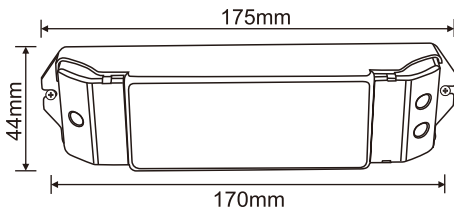
LED Power Repeater is suitable for all of our company's power-output style controllers' power expansion, it accepts PWM control, the control quantity of LED lights would be twice as much by adding one more power repeater, unlimited quantity of power repeater to be connected theoretically.

1. Technical Specs

LT-3010-CC

- Input Signal: PWM
- Input Voltage: 12~48Vdc
- Output Voltage: 3~46Vdc
- Max Current Load: CC 350/700/1050mA×1CH
- Output Power: 1.05W~48.3W×1CH
- Driving LEDs: Series 1~13pcs LEDs
- Output Signal: CC PWM
- Protection: Short circuit / Over load
- Working Temperature.: -30°C ~55°C
- Dimensions: L175×W44×H30(mm)
- Package Size: L178×W48×H33(mm)
- Weight (G.W.): 115g

2. Product Size:



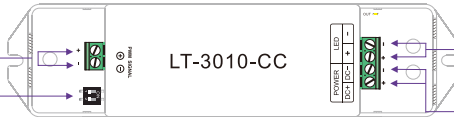
3. Wiring Diagram:

Signal Input Socket

Current Selection Switch

(Operation Table)

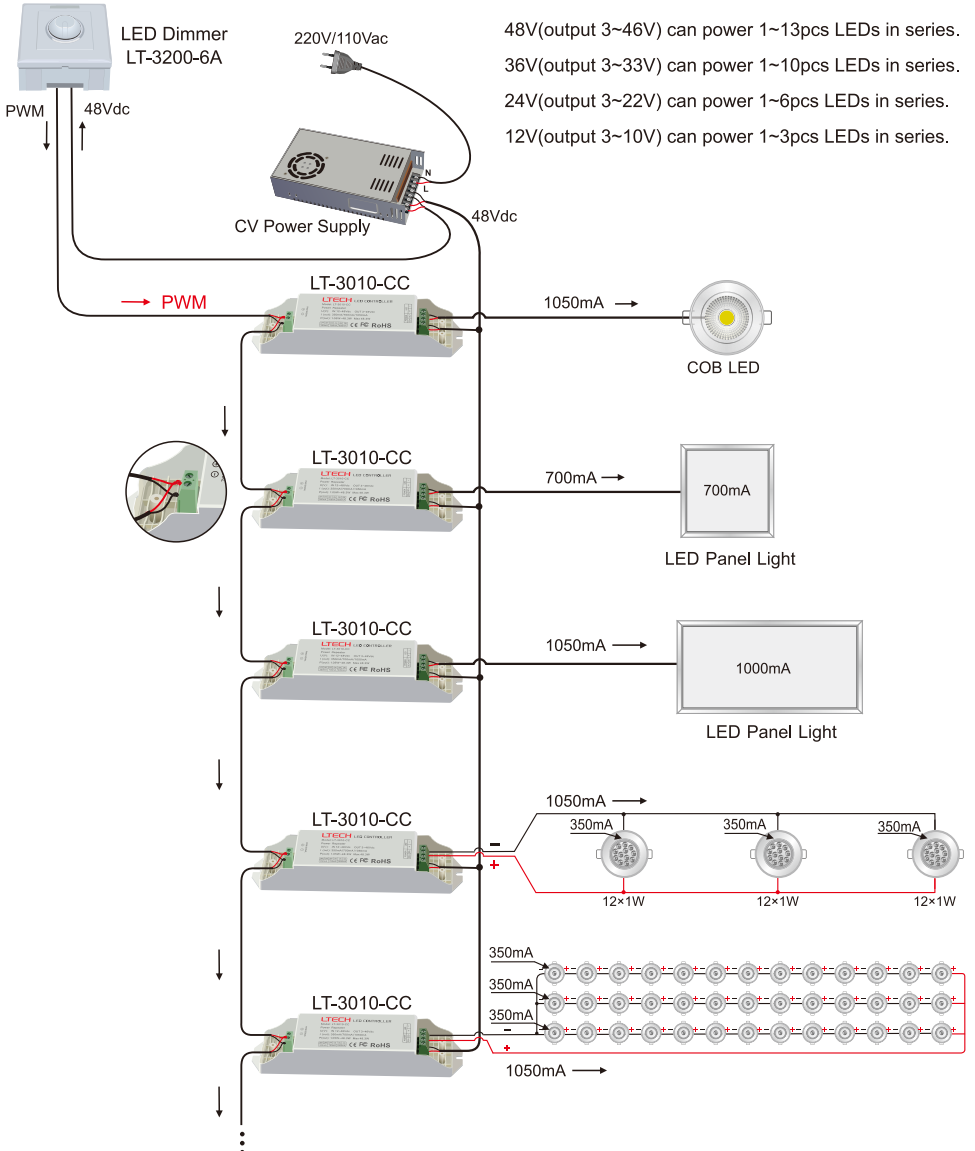
OFF	OFF	OFF	ON	ON	ON
350mA	700mA	1050mA			



LED Lamps Connection Socket

12-48Vdc
CV Power Input

Connect to PWM LED dimmer



48V(output 3~46V) can power 1~13pcs LEDs in series.
 36V(output 3~33V) can power 1~10pcs LEDs in series.
 24V(output 3~22V) can power 1~6pcs LEDs in series.
 12V(output 3~10V) can power 1~3pcs LEDs in series.